

# ON-169

## Power by Perkins

# 1106A-70TAG2

Prime power: 135KW/169KVA

Standby power: 150KW/188KVA

## GENERATING POWER SOLUTIONS

### Increased availability for new operations

Reliable, robust and versatile generator.  
Ready to deliver power for a next job.

### Increased uptime during operations

Once installed on the end-user-site, the generator will be ready to run: "peace of mind" operation.

### Reduced transport and installation costs

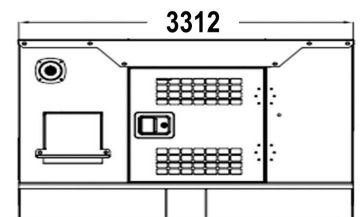
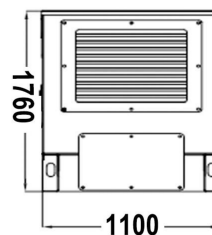
The compact and robust design with integrated transport features enables faster and safer transport and installation.

### Reduced service & maintenance costs

Longer service intervals.  
Quicker and more efficient service jobs.

### Premium resale value

Designed and built to last.



# ONEWPOWER

[WWW.ONEWPOWER.COM](http://WWW.ONEWPOWER.COM)

| DIMENSION  |    | OPEN TYPE | SILENT TYPE |
|------------|----|-----------|-------------|
| Length (L) | mm | 2280      | 3312        |
| Width (W)  | mm | 1100      | 1100        |
| Height (H) | mm | 1650      | 1760        |
| Dry weight | kg | 2000      | 2500        |
| Fuel tank  | L  | 270       | 270         |

## Technical Data

### Model ON-169

|                            |         |         |
|----------------------------|---------|---------|
| Rated prime power          | KW      | 135     |
| Rated standard power       | KW      | 150     |
| Rated voltage line to line | V       | 220~480 |
| Maximun sound level        | dB(@7m) | ≤72     |

### Engine

|                           |                 |         |
|---------------------------|-----------------|---------|
| Model                     | 1106A-70TAG2    |         |
| Aspiration                | Turbocharged    |         |
| Fuel system               | mechanical pump |         |
| No. cylinders             | 6               |         |
| Displacement              | Liquid          | 7.01    |
| Bore*Stroke               | mm              | 105*135 |
| Compression ratio         | 16:01           |         |
| Rated speed               | r/min           | 1800    |
| Rated net power(with fan) | Kw              | 150     |
| Governor type             | Mechanical      |         |

### Exhaust system

|                   |                           |      |
|-------------------|---------------------------|------|
| Exhaust gas flow  | 30.53 m <sup>3</sup> /min |      |
| Exhaust gas temp  | ° F (° C)                 | <407 |
| Max back pressure | 6 kPa                     |      |

### Aspiration system

|                    |       |      |
|--------------------|-------|------|
| Max inlet pressure | kPa   | ≤3.5 |
| Combustion volume  | L/s   | /    |
| Air flow           | L/sec | TBA  |

### Fuel system

|                        |     |      |
|------------------------|-----|------|
| 100% load(Prime power) | L/h | 38.2 |
| 75% load(Prime power)  | L/h | 29.1 |
| 50% load(Prime power)  | L/h | 19.1 |
| Fuel tank capacity     | L   | 270  |

### Lubrication system

|                        |       |      |
|------------------------|-------|------|
| Oil capacity           | L     | 16.5 |
| Oil consumption        | g/kwh | 28.3 |
| Oil pressure           | kPa   | 10   |
| (continuous operation) |       |      |

### Cooling system

|                            |    |       |
|----------------------------|----|-------|
| Coolant capacity           | L  | 21    |
| Thermostat operation range | °C | 76-88 |
| Max water temperature      | °C | 98    |

### Alternator

|                    |                            |         |
|--------------------|----------------------------|---------|
| Model              | ON-169                     |         |
| Phase              | 3                          |         |
| Voltage            | V                          | 220~480 |
| Bearing            | 1                          |         |
| Power factor       | 0.8                        |         |
| Frequency          | Hz                         | 60      |
| Prime power        | KW                         | 135     |
| Exciter Type       | Brushless, self-excitation |         |
| Voltage regulation | %                          | ±1.0    |
| Protection Grade   | IP 23                      |         |
| Insulation grade   | H/H                        |         |
| Altitude           | m                          | ≤1000   |

### Controller

- Model
- Protective functions:
- Low oil pressure
  - High water temperature
  - High/low voltage
  - High Engine Temperature and Overspeed.
  - Voltage regulator frequency regulator
  - Emergency stop
  - Start failure



### Control Module Options



- Auto generator control module
- Control module with "Three Remote Control" functions
- ATS auto load transfer screen
- Synchronising control modules
- Power output cabinet

### Standard features

- Engine ●
- Radiator 50°C max, fans are driven by belt ●
- 24V charge alternator ●
- Alternator: single bearing alternator IP23, insulation class H/H ●
- Standard auto control system ●
- One set of air filter, fuel filter, oil filter ●
- Main line circuit breaker/MCCB ●
- Base fuel tank ●
- Two 24V batteries, rac and cable ●
- Exhaust system(Ripple flex exhaust pipe, exhaust siphon, flange, muffler) ●
- User manual ●

### Options

- Battery charge ○
- Engine heater ○
- Alternator heater ○
- PMG ○
- Water oil separator ○
- Daily fuel tank ○
- Remote control panel ○
- Automatic transfer switch/ATS ○
- Switch box ○
- Standard: ● Options: ○

### Warranty

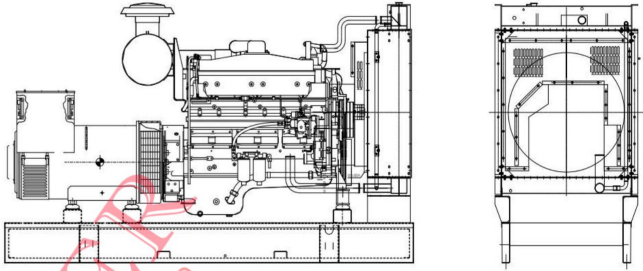
#### CUMMINS ENGINE

12 months from date of purchase and 1000 hours.

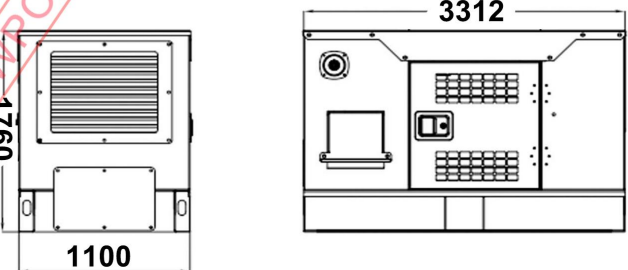
#### Generator

12 months from date of purchase or 1000 hours (whichever occurs first).

### Dimensions



| Open Type |    |                |
|-----------|----|----------------|
| L*W*H     | mm | 2280*1100*1650 |
| WEIGHT    | kg | 2000           |



| Silent Type |    |                |
|-------------|----|----------------|
| L*W*H       | mm | 3312*1100*1760 |
| Weight      | kg | 2500           |

## ONEWPOWER

ADD: NO . 1 0 7 XIYUAN ROAD , JINAN DISTRICT, FUZHOU CITY, FUJIAN, CHINA

Phone: 15980204507 E-mail: jina@onewpower.com

WWW.ONEWPOWER.COM

