

ON-1250

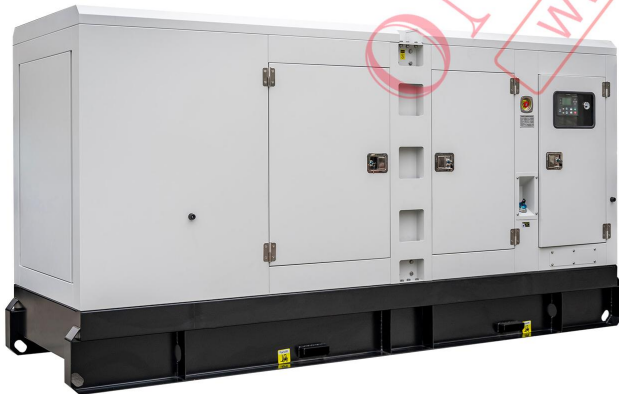
Power by Perkins

4012-46TWG2A

Prime power: 1000KW/1250KVA

Standby power: 1108KW/1385KVA

GENERATING POWER SOLUTIONS



Increased availability for new operations

Reliable, robust and versatile generator. Ready to deliver power for a next job.

Increased uptime during operations

Once installed on the end-user-site, the generator will be ready to run: "peace of mind" operation.

Reduced transport and installation costs

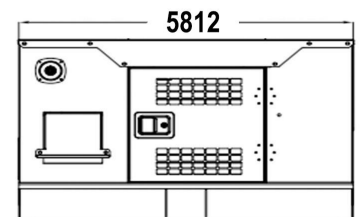
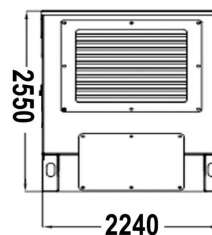
The compact and robust design with integrated transport features enables faster and safer transport and installation.

Reduced service & maintenance costs

Longer service intervals. Quicker and more efficient service jobs.

Premium resale value

Designed and built to last.



ONEWPOWER

WWW.ONEWPOWER.COM

| DIMENSION | | | OPEN TYPE | SILENT TYPE |
|------------|----|------|-----------|-------------|
| Length (L) | mm | 4410 | 5812 | |
| Width (W) | mm | 2000 | 2240 | |
| Height (H) | mm | 2250 | 2550 | |
| Dry weight | kg | 7850 | 10970 | |
| Fuel tank | L | TBD | TBD | |

Technical Data

Model ON-1250

| | | |
|----------------------------|---------|---------|
| Rated prime power | KW | 1000 |
| Rated standard power | KW | 1108 |
| Rated voltage line to line | V | 380~415 |
| Maximun sound level | dB(@7m) | ≤72 |

Engine

| | | |
|---------------------------|-----------------|---------|
| Model | 4012-46TWG2A | |
| Aspiration | Turbocharged | |
| Fuel system | mechanical pump | |
| No. cylinders | 12 | |
| Displacement | Liquid | 45.842 |
| Bore*Stroke | mm | 160*190 |
| Compression ratio | 13:1 nominal | |
| Rated speed | r/min | 1500 |
| Rated net power(with fan) | Kw | 1108 |
| Governor type | Electronical | |

Exhaust system

| | | |
|-------------------|------------|------|
| Exhaust gas flow | 230 m³/min | |
| Exhaust gas temp | ° F (° C) | <422 |
| Max back pressure | 5 kPa | |

Aspiration system

| | | |
|--------------------|-----|------|
| Max inlet pressure | kPa | ≤3.5 |
| Combustion volume | L/s | / |
| Air flow | TBD | |

Fuel system

| | | |
|------------------------|-----|-----|
| 100% load(Prime power) | L/h | 258 |
| 75% load(Prime power) | L/h | 196 |
| 50% load(Prime power) | L/h | 141 |
| Fuel tank capacity | L | TBD |

Lubrication system

| | | |
|------------------------|-------|------|
| Oil capacity | L | 177 |
| Oil consumption | g/kwh | 28.3 |
| Oil pressure | kPa | 10 |
| (continuous operation) | | |

Cooling system

| | | |
|----------------------------|----|-------|
| Coolant capacity | L | 196 |
| Thermostat operation range | °C | 76-88 |
| Max water temperature | °C | 98 |

Alternator

| | | |
|--------------------|----------------------------|---------|
| Model | ON-1250 | |
| Phase | 3 | |
| Voltage | V | 380~415 |
| Bearing | 1 | |
| Power factor | 0.8 | |
| Frequency | Hz | 50 |
| Prime power | KW | 1000 |
| Exciter Type | Brushless, self-excitation | |
| Voltage regulation | % | ±1.0 |
| Protection Grade | IP 23 | |
| Insulation grade | H/H | |
| Altitude | m | ≤1000 |

Controller

- Model
- Protective functions:
- Low oil pressure
 - High water temperature
 - High/low voltage
 - High Engine Temperature and Overspeed.
 - Voltage regulator frequency regulator
 - Emergency stop
 - Start failure



Control Module Options



- Auto generator control module
- Control module with "Three Remote Control" functions
- ATS auto load transfer screen
- Synchronising control modules
- Power output cabinet

Standard features

- Engine ●
- Radiator 50°C max, fans are driven by belt ●
- 24V charge alternator ●
- Alternator: single bearing alternator IP23, insulation class H/H ●
- Standard auto control system ●
- One set of air filter, fuel filter, oil filter ●
- Main line circuit breaker/MCCB ●
- Base fuel tank ●
- Two 24V batteries, rac and cable ●
- Exhaust system(Ripple flex exhaust pipe, exhaust siphon, flange, muffler) ●
- User manual ●

Options

- Battery charge ○
- Engine heater ○
- Alternator heater ○
- PMG ○
- Water oil separator ○
- Daily fuel tank ○
- Remote control panel ○
- Automatic transfer switch/ATS ○
- Switch box ○
- Standard: ● Options: ○

Warranty

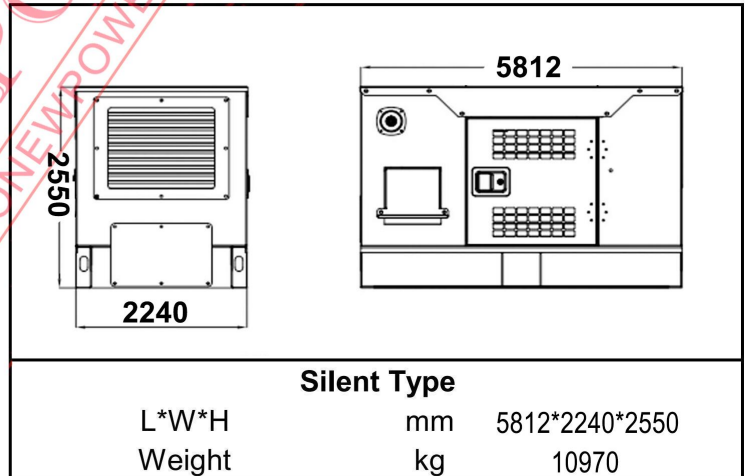
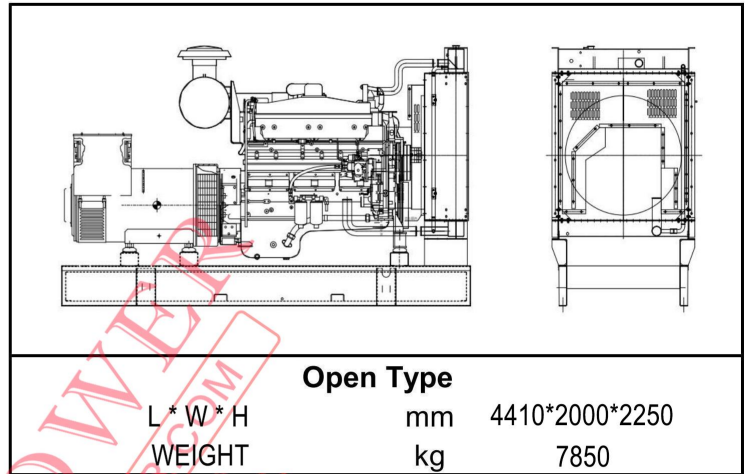
CUMMINS ENGINE

12 months from date of purchase and 1000 hours.

Generator

12 months from date of purchase or 1000 hours (whichever occurs first).

Dimensions



ONEWPOWER

ADD: NO . 1 0 7 XIYUAN ROAD , JINAN DISTRICT, FUZHOU CITY, FUJIAN, CHINA

Phone: 15980204507 E-mail: jina@onewpower.com

WWW.ONEWPOWER.COM

